

PRODUCT TECHNICAL SHEET

Collection : **CLIFF**

Ref. : **4091.11.74**

Thermostatique à encastrer
Inbouw thermostaat
Concealed thermostatic

Picture



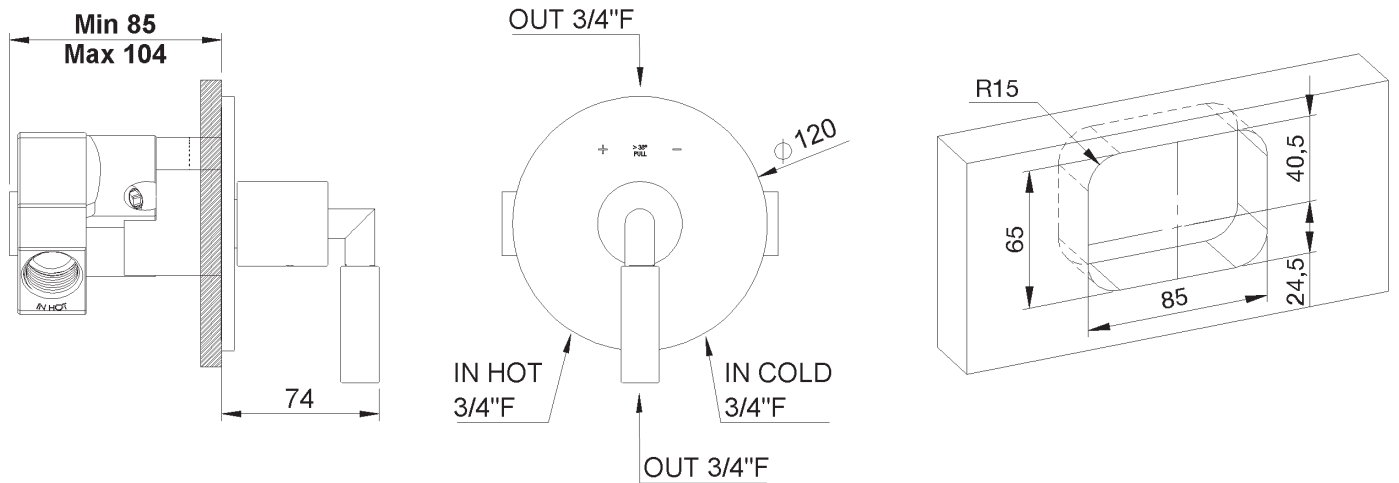
Product details

Weight : 4,4 kg

Flow at 3 bar : 35 l/min

T° mechanism : Thermostatic wax cartridge

Technical drawing



RA1.V01